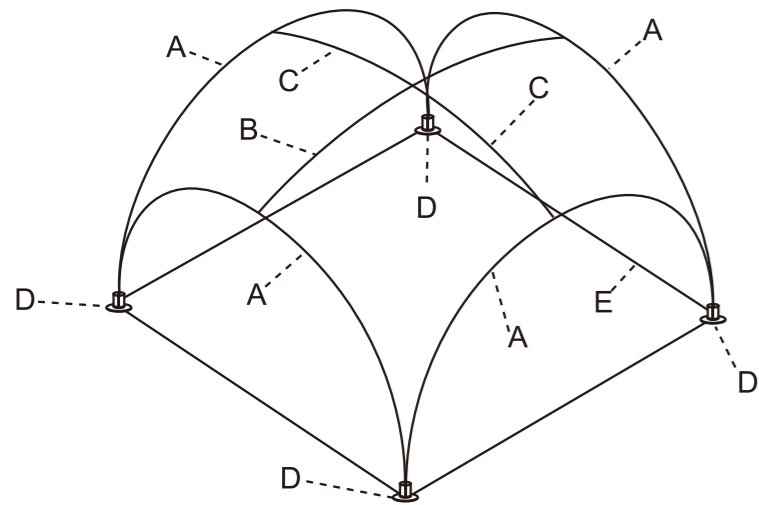




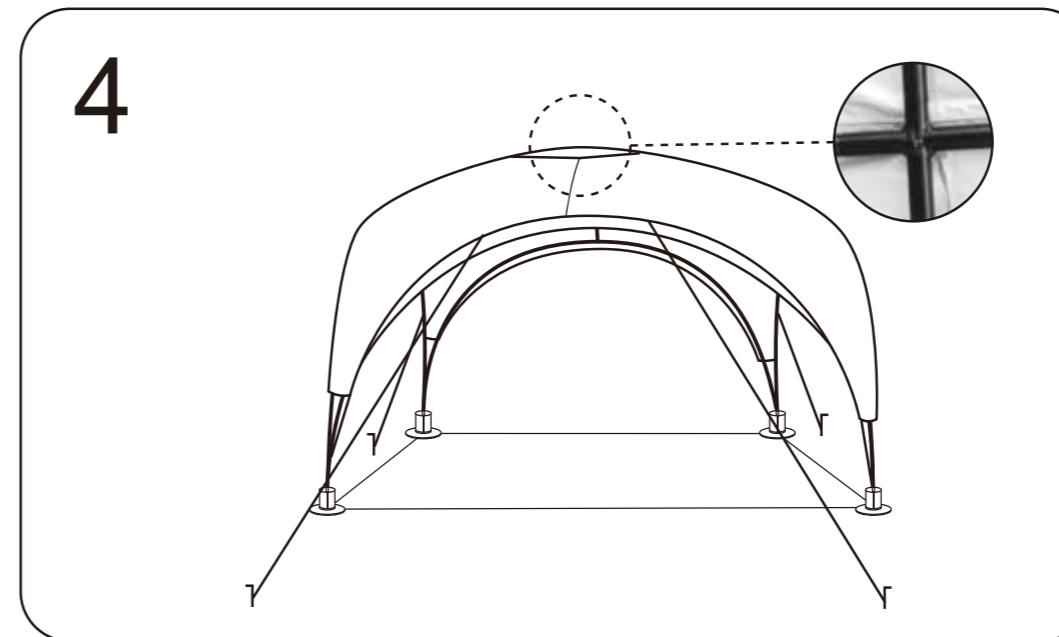
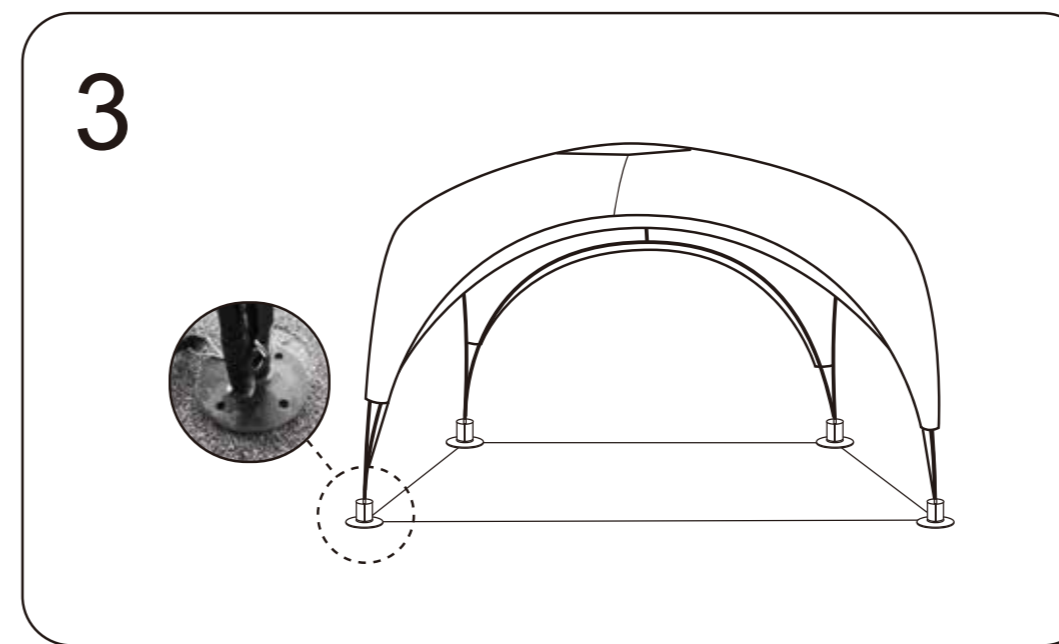
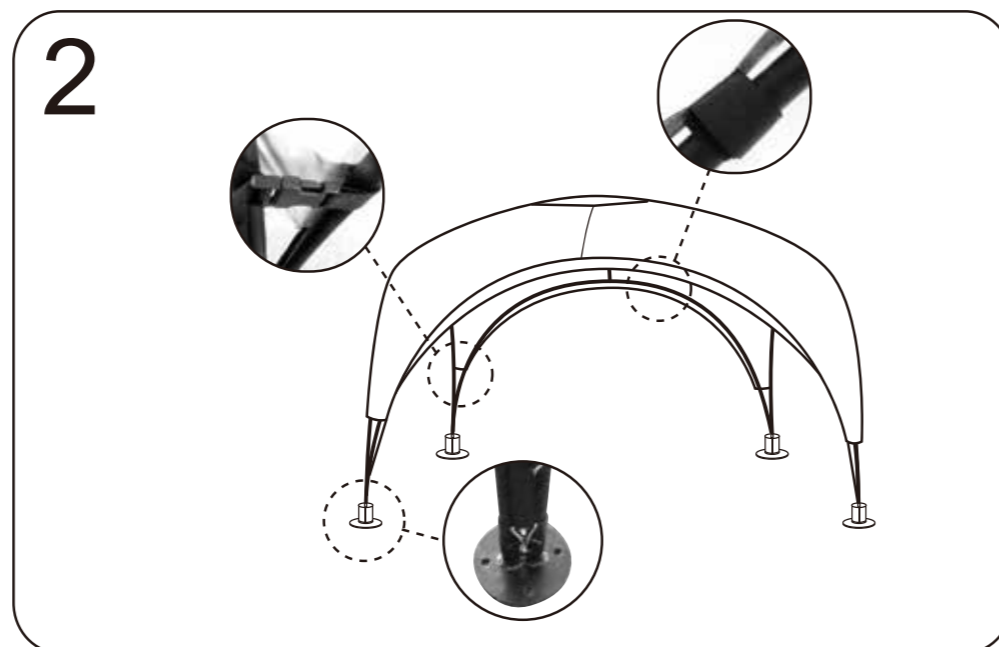
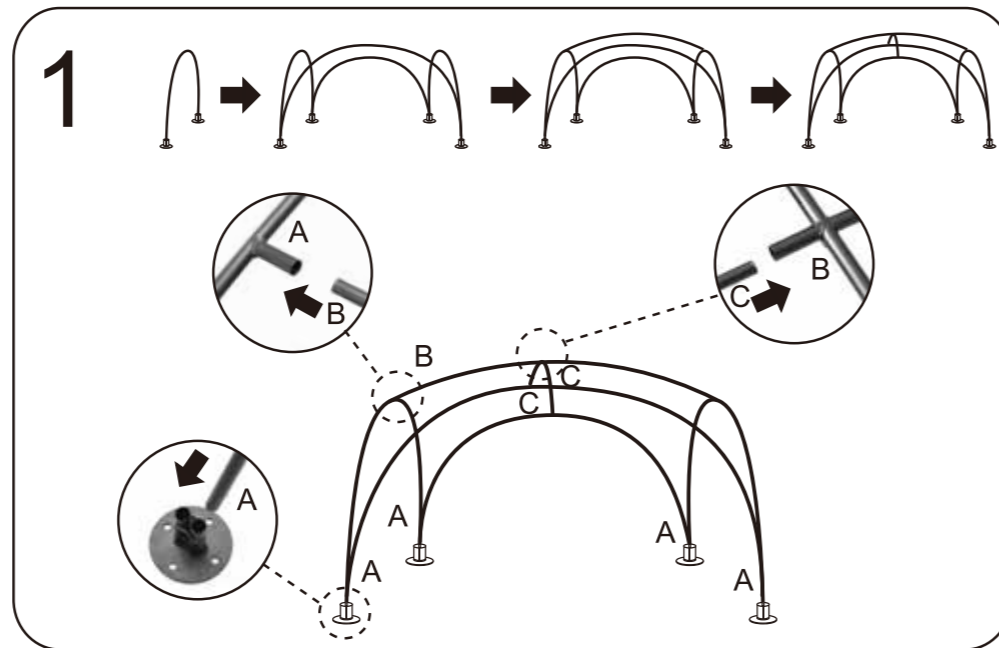
Assembly Instruction

PENTLAND EVENT GAZEBO



Unpacking the Event Gazebo

- We recommend to pull up the gazebo with two persons.
- Check the ground where you intent to pitch is level, free from rocks and sharp objects. Before assembly please check you have the following:
 - 1x Outdoor Shelter Cover
 - 4x Outdoor Shelter Side Pole (A)
 - 1x Outdoor Shelter Roof Pole (B)
 - 2x Outdoor Shelter Roof Pole (C)
 - 1x Outdoor Shelter Carry Bag
 - 4x Shelter Steel Feet (D)
 - 1x Shelter Web Foot Base Strap (E)
 - 16x Shelter Pegs
 - 8x Shelter Guyropes



WARNING:

- Keep all flame and heat sources away from this tent fabric.
- Always read and follow the instructions before use. Be cautious to avoid pinching your hands or fingers in any of the moving parts as frame opens and closes.
- The gazebo is designed to provide shade only. Do not use this gazebo in strong wind and rain. Wind and rain can damage the gazebo and could result in injury to you and others.

Manufactured for:
INPRODIUS SOLUTIONS GmbH
Coesterweg 45, D-59494 Soest
Service: +49 2921 3272031
E-Mail: service@inprodius.de